

DALNAMAIN CORN-DRYING KILN, DORNOCH

ORDNANCE SURVEY GRID REFERENCE : NH 79/89 723.986.

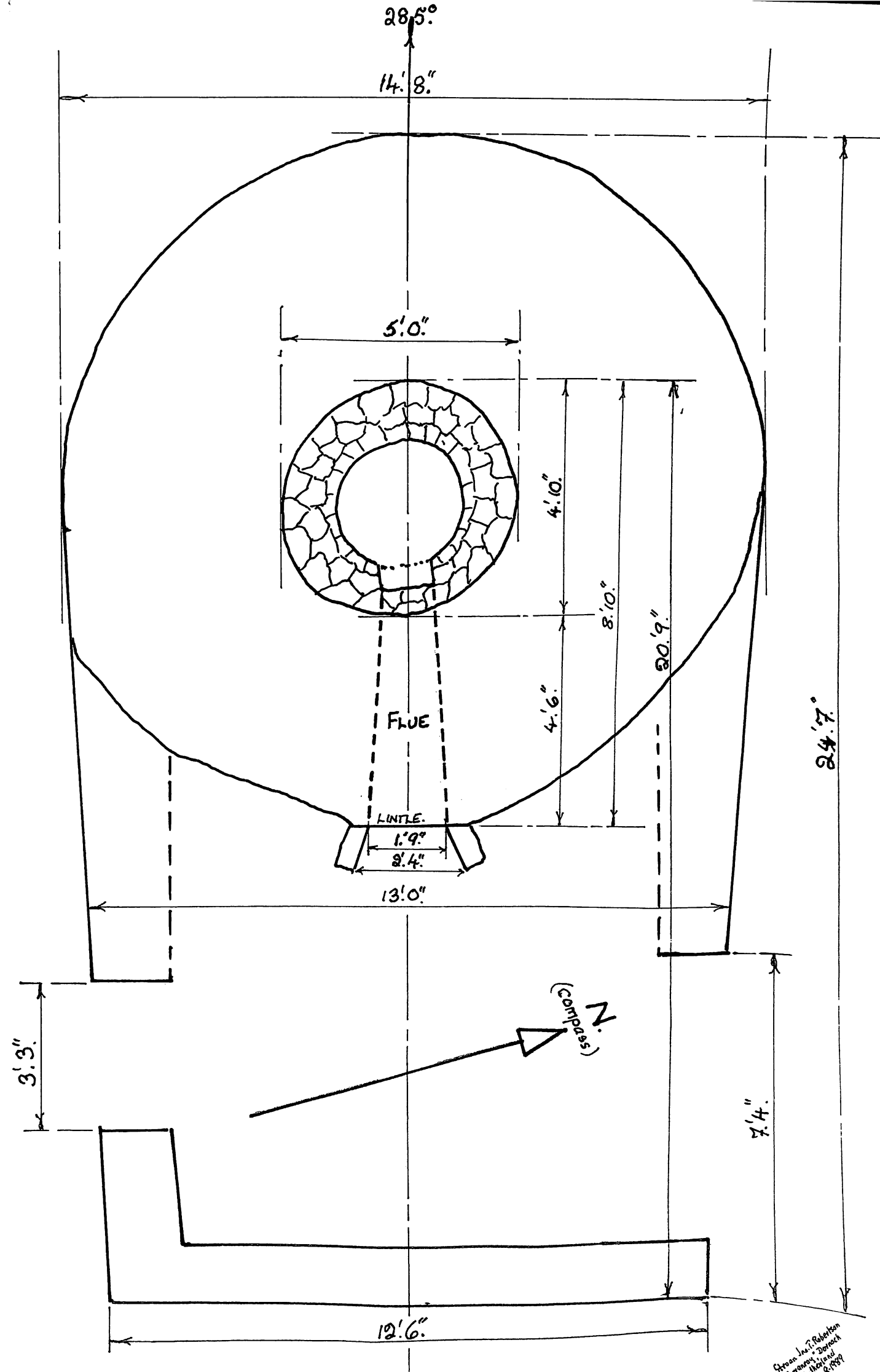
In Strath Carnaig, three miles upstream from the Mound Causeway, a large group of decaying sheep-pens, or fanks, on the right side of the road marks the site of a bridge across the River Carnaig. From here a cart track rises steeply uphill to Dalnamain croft. An old-standing crofting house has been replaced in the mid eighties by a modern ground-and-one-storey farm house, in 1989 untenanted, and associated with an intricate lay-out of beautifully built, dry-stone walled sheep fanks, about five feet in height, partly stone-coped and partly coped with turf.

A turf footpath leads westerly from the house, and in a few hundred yards, and slightly higher up, and easily visible from the track, are the remains of a corn-drying kiln. For some 40 years, until the Estate raised the rent excessively, a family had taken Dalnamain for the summer. The lady of the family took pride in keeping the kiln in good order, as a holiday interest, and it is thanks to her the little monument is in good trim.

Of standard local construction, it is a single-flue, small kiln, recessed into the hillside, with an attached building with twin-flank doorways opposite each other towards the gable-end remote from the kiln. The long axis of the building lies WNW-ESE. The building was probably of turf, as there is little stone lying around, has long since been razed almost to ground level. It is a discrete, lonely building and would seem to have served, possibly, only two crofts north of the Carnaig - Dalnamain and one other, higher up the Allt na h'Innse Aohair on the footpath across the hills to Rogart.

Dalnamain is a medium-sized croft, on a very rocky hillside, with well defined dry-stone wall enclosures, an enclosed vegetable garden, these large sheep-fanks, and a large flat meadow at river-level with an un-marked standing-stone in the central-area, on a little knoll. It would seem to have been that of a local tacksmen.

Visited on Friday 25th August, 1989, by Jas. K. Bell, J.M. Gall and S.J. Robertson, on behalf of THE DORNOCH HERITAGE SOCIETY.



Drawn by S.J. Robertson
22-8-1989